

Tools Required: 14mm Socket Wrench (Or Allen Wrench), T25 Torx Wrench, 2.5mm Allen Wrench, Torque Wrench

Safety Information -

The crankset is an important part of your bicycle. Before installing and using your crankset, carefully read this owner's manual to learn the correct installation and adjustment procedures of this crankset.

!WARNING!

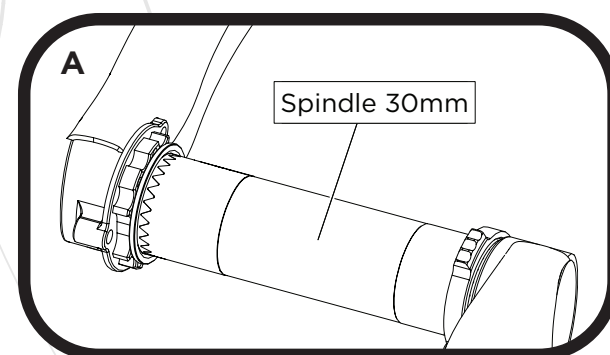
An improperly installed and/or adjusted crankset can cause serious harm or death and may severely damage your bicycle. A broken or malfunctioning crankset may cause loss of vehicle control and result in **SERIOUS INJURY OR DEATH**. Modification, improper service or use of aftermarket replacement parts voids the warranty and may cause the crankset to malfunction, resulting in loss of vehicle control and **SERIOUS INJURY OR DEATH**. **Do not modify your bike frame or crankset.** Use only genuine Cane Creek replacement parts.

For more information please visit www.canecreek.com or contact us at 800-234-2725

Installation Instructions -

Step 1: Confirm Frame/Bottom Bracket Fitment -

1. Confirm the correct bottom bracket is installed on the bicycle to properly work with the crankset. The bearing internal diameter of the bottom bracket must be 30mm.
2. Determine bottom bracket spacer orientation. For bottom bracket installation, refer to bottom bracket manufacturer's installation instructions.



Compatible bottom brackets and fitment guide can be found at www.canecreek.com/products/eeWings/

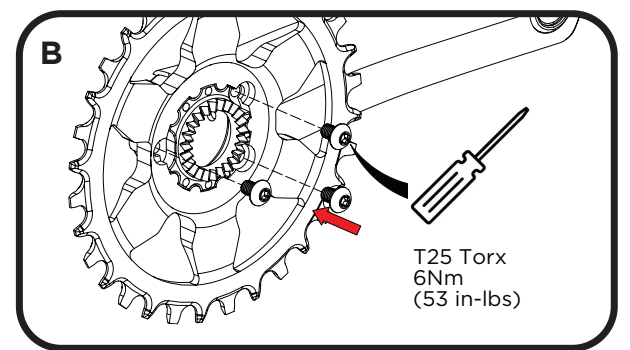
COMPATIBLE BOTTOM BRACKET FRAME SHELL	COMPATIBLE BOTTOM BRACKET TYPE	SPACER(S) REQUIRED	
		Drive side	Non Drive Side
BSA68mm 68mm shell width, threaded	Threaded BSA 68mm with 30mm bearing inner diameter for 30mm spindle	2.5mm (Bottom Bracket Spacer) 1mm (eeWings Spindle Spacer)	No Spacer Required
PF86 86mm shell width, 41mm frame inner diameter press fit	PF86 with 30mm bearing inner diameter for 30mm spindle	1mm (eeWings Spindle Spacer)	No Spacer Required
BB30 68mm shell width, 42mm frame inner diameter press fit	BB30 68mm shell width with 30mm bearing inner diameter for 30mm spindle.	14mm Total Spindle Spacers (eeWings 1mm spindle spacer, 13mm additional spindle spacers required)	11.5mm Spindle Spacers
PF30 68mm shell width, 46mm frame inner diameter press fit	PF30 68mm shell width with 30mm bearing inner diameter for 30mm spindle.	14mm Total Spindle Spacers (eeWings 1mm spindle spacer, 13mm additional spindle spacers required)	11.5mm Spindle Spacers
386EVO 86mm shell width, 46mm frame inner diameter press fit	386 EVO with 30mm bearing inner diameter for 30mm spindle	1mm (eeWings Spindle Spacer)	No Spacer Required

Step 2: Install Chainring -

- eeWings use the SRAM direct mount chainring interface. Be sure the offset of the chainring is appropriate for your rear wheel spacing.

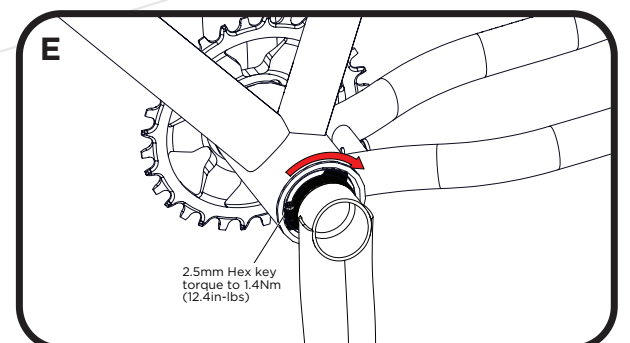
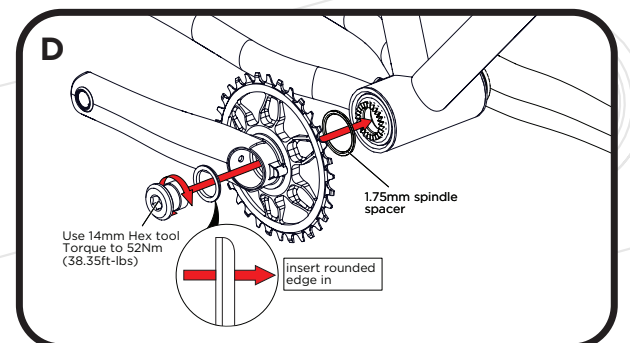
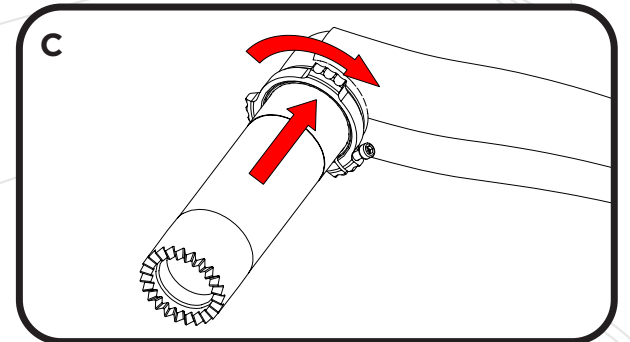
Rear Wheel Spacing	Chainring Offset
135mm	6mm
142mm	6mm
148mm	3mm

- Place a compatible chainring onto the crank arm.
- Apply a thin layer of Ti-Prep (small brown tube included in packaging) to the threads of each chain ring bolt. Then, install T25 chain ring bolts onto the crank arm and fasten bolts to **6Nm** (53 in-lbs)



Step 3: Crankset Installation -

- Apply Ti-Prep or grease to the spindle of the non-drive side arm and inner bearing race of the bottom bracket.
- Confirm all preload is removed from the preload nut. The preload nut should be as close to the non-drive side crank arm as possible prior to installation. See Figure C
- Apply a thin layer of Ti-Prep to the threads of the fastening bolt.
- Install 1mm spacer onto the spindle and any other spacers required (refer to bottom bracket chart in Step 1) and install drive side crank arm with chainring, making sure the crank arms are correctly aligned. Confirm the fastening bolt washer is in the correct orientation on the fastening bolt, refer to drawing D. Torque the 14mm Allen key of the fastening bolt to **52Nm** (38.35 ft-lb).
- Using the preload nut, remove any gap between the non-drive side crank arm and the bearing cover by turning the preload nut clockwise by hand. Once the gap is removed and the crank arms have no side to side play, fasten the 2.5mm allen wrench bolt to **1.4Nm** (12.4in-lb) on the preload nut to secure the set preload.
- Install pedals into the pedal insert threads. Refer to pedal manufacturers instructions for pedal torque. Pedal insert washers are not required.



If this eeWings Crankset is equip with a Stages Power Meter please refer to the Stages Instructions

Removal Instructions -

- On the non-drive side unscrew the 2.5mm allen key bolt and turn the preload nut counterclockwise to remove all preload from the crankset.
- Unfasten drive-side fastening bolt with a 14mm allen wrench or 14mm Hex tool and remove driveside arm
- Remove non-drive side arm and spindle from the bottom bracket.

Warranty Information

LIMITED TEN (10) YEAR WARRANTY ON CANE CREEK eeWings

Subject to the limitations, terms and conditions here of, Cane Creek warrants, to the original retail owner of each new Cane Creek eeWings, that the Cane Creek eeWings, when new, is free from defects in materials and workmanship. This warranty expires ten (10) years from the date of the original Cane Creek eeWings retail purchase from an authorized Cane Creek dealer or from a Cane Creek authorized original equipment manufacturer where Cane Creek eeWings is included as original equipment on a purchased bike, unless otherwise dictated by requirement of law. **NOTE: Stages power meters are not covered under Cane Creek's limited 10-year warranty. Refer to Stages terms of warranty.**

TERMS OF WARRANTY

This warranty is conditioned on the Cane Creek eeWings being operated under normal conditions and properly maintained as specified by Cane Creek. This warranty is only applicable to Cane Creek eeWings purchased new from an authorized Cane Creek source and is made only to the original retail owner of the new Cane Creek eeWings and is not transferable to subsequent owners. This warranty is void if the Cane Creek eeWings is subjected to abuse, neglect, improper or unauthorized repair, improper or unauthorized service or maintenance, alteration, modification, accident or other abnormal, excessive, or improper use. Should it be determined, by Cane Creek in its sole and final discretion, that a Cane Creek eeWings is covered by this warranty, it will be repaired or replaced, by a comparable model, at Cane Creek's sole option, which will be conclusive and binding. **THIS IS THE EXCLUSIVE REMEDY UNDER THIS WARRANTY. ANY AND ALL OTHER REMEDIES AND DAMAGES THAT MAY OTHERWISE BE APPLICABLE ARE EXCLUDED, INCLUDING, BUT NOT LIMITED TO, INCIDENTAL OR CONSEQUENTIAL DAMAGES OR PUNITIVE DAMAGES.** This limited warranty does not apply to normal wear and tear, malfunctions or failures that result from abuse, improper assembly, neglect, alteration, improper maintenance, crash, misuse or collision. This limited warranty gives the consumer specific legal rights. The consumer may also have other legal rights which vary from state to state or country to country. Some states and countries do not allow the exclusion or limitation of incidental or consequential damages or warranties, so the above limitations or exclusions may not apply to you. If it is determined by a court of competent jurisdiction that a certain provision of this limited warranty does not apply, such determination shall not affect any other provision of this limited warranty and all other provisions shall remain in effect.

THIS IS THE ONLY WARRANTY MADE BY CANE CREEK ON ITS PRODUCTS AND COMPONENTS, AND THERE ARE NO WARRANTIES THAT EXTEND BEYOND THE DESCRIPTION HEREIN. ANY WARRANTIES THAT MAY OTHERWISE BE IMPLIED BY LAW INCLUDING, BUT NOT LIMITED TO, ANY IMPLIED WARRANTY OF MERCHANTABILITY OR FITNESS FOR A PARTICULAR PURPOSE ARE EXCLUDED.