

**Technical Service Bulletin – 022**

**DB AIR / DB AIR CS Air piston change**

Rev01 – 2/19/18 - Mike M

File location: \\Bluetail\Engineering\Technical Service Bulletins

File Name: TSB022

Revision	Description	Author	Date
01	First Release	MMc	2/19/18
02	Corrected date in scope. Mistakenly was 2/15/19; chgd to 2/15/18		

Overview

In February of 2018 Cane Creek implemented a running change for the Air piston on the DB AIR and DB AIR CS. Cane Creek redesigned the air piston with a thicker (fat) quad ring for a more robust air seal. The larger quad ring will significantly decrease the chance of stuck down conditions. The gold piston changed shape and color and the quad ring changed size. The backup rings changed to add protection between the piston and inner air can.

Scope

New shocks built after 2/15/18 will have the blue Fat Quad air piston

Solution

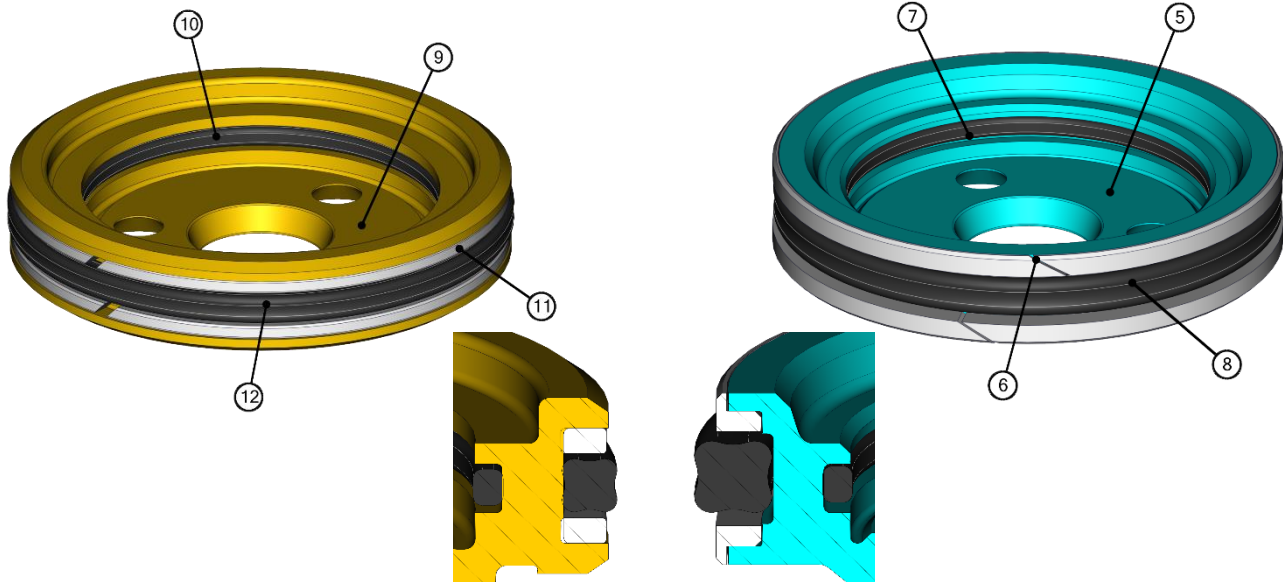
Shocks or service kits with gold air pistons are ok to use up current inventory.

**OLD: Piston Assy AAD1192**

ID	Part Number	Description	Qty
9	AAD0072	DBAir - Air Piston	1
10	AAD0138	O-Ring - 31.47x1.78 (-026)	1
11	AAD0130	ptfe split-ring (-129)	2
12	AAD0132	Quad-Ring -129 (39.34 x 2.62) -a	1

**NEW: Piston Assy AAD1795**

ID	Part Number	Description	Qty
5	AAD1796	DBAIR AIR PISTON -222 QUAD RING	1
6	AAD0900	L-Shaped Backup Ring External - 129	2
7	AAD0138	O-Ring - 31.47x1.78 (-026)	1
8	AAD0010	Quad-Ring -222 (37.69x3.53)	1



**Cut away section views**