

Technical Service Bulletin – 015

HELM Damper - Rebound

Rev01 – 5/2/17 - Mike M

File location: \\Bluetail\Engineering\Technical Service Bulletins

File Name: TSB015

Revision	Description	Author	Date
01	First Release	MMc	5/2/17

Overview

In Late April Cane Creek made a change to the rebound performance on the Helm fork. We did this by flipping the rebound piston and adding a shim to the shim stack. By doing this we can provide greater range of rebound damping force.

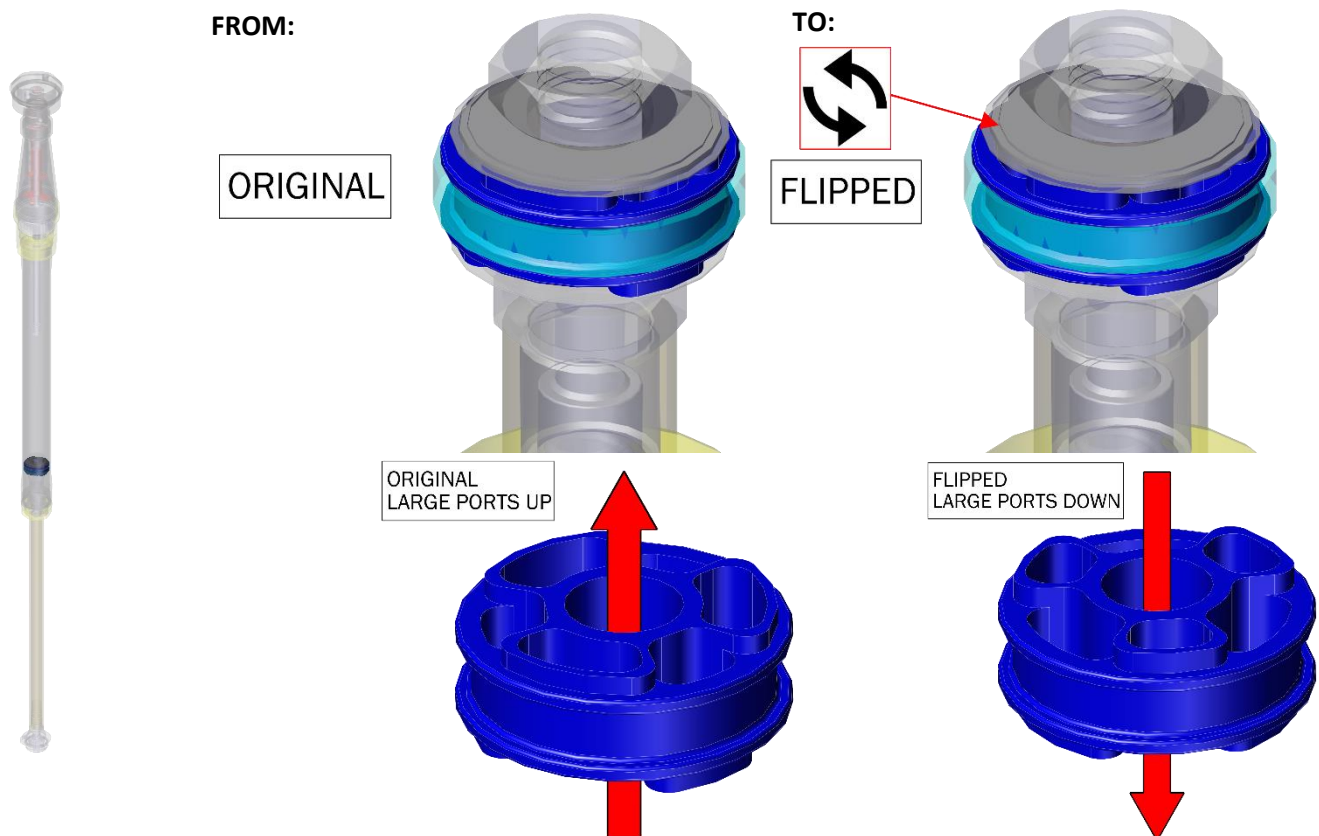
Scope

All Helm forks build on May 3 and after will receive this change.

Solution

This service to the rebound can be performed by a qualified service center if needed.

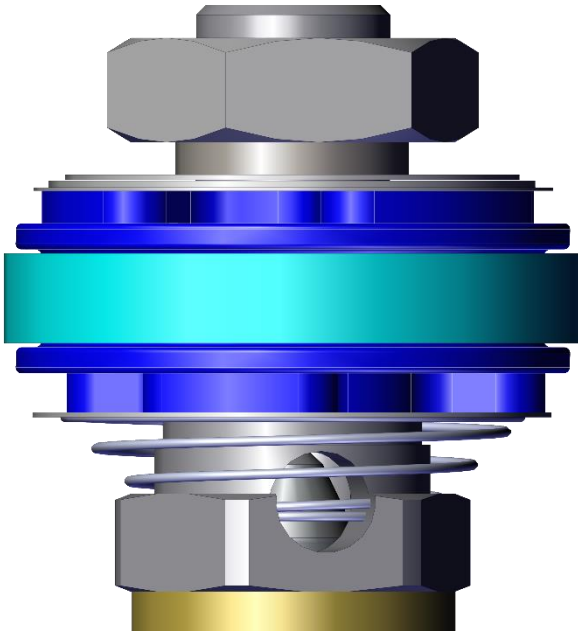
FLIPPED REBOUND PISTON



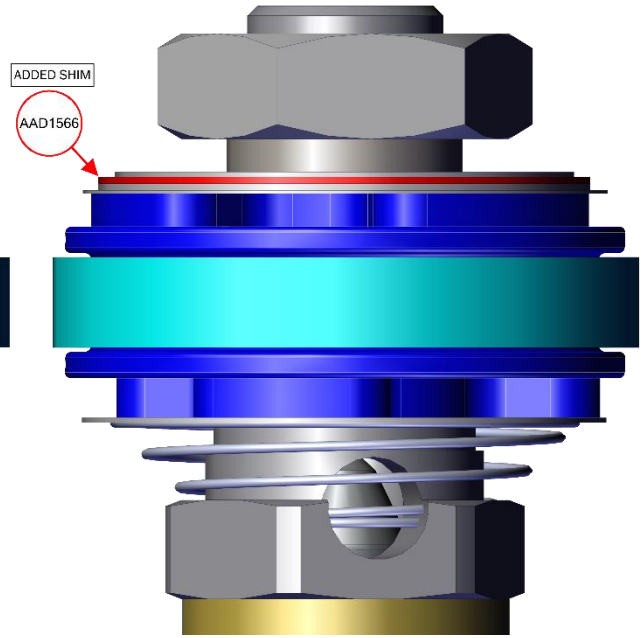
ADDED SHIM TO SHIM STACK



FROM:

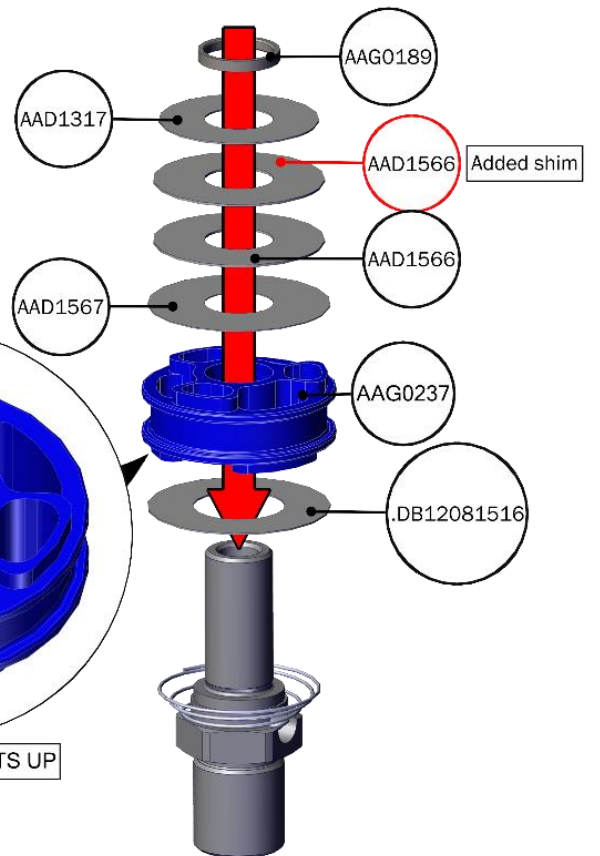


TO:



ADDED SHIM

AAD1566



SMALL PISTON PORTS UP