

Seatpost Installation Instructions

1. Confirm your frame has the correct diameter seat tube for your new eeSilk seatpost. eeSilk seatposts are available in 27.2mm and 31.6mm post diameter but Cane Creek offers several seatpost adapters to accommodate larger size seat tubes.

2. **eeSilk:** Grease shim (if applicable) and seatpost before installing into frame. **DO NOT** lubricate seat tubes of carbon frames unless specified by the manufacturer.

eeSilk Carbon: Cane Creek recommends using carbon fiber paste with the carbon post. For carbon frames, ensure the carbon paste is approved by the manufacturer.

3. Insert shim (if applicable) into the bicycle frame with the split aligned with the split in the seat-tube.

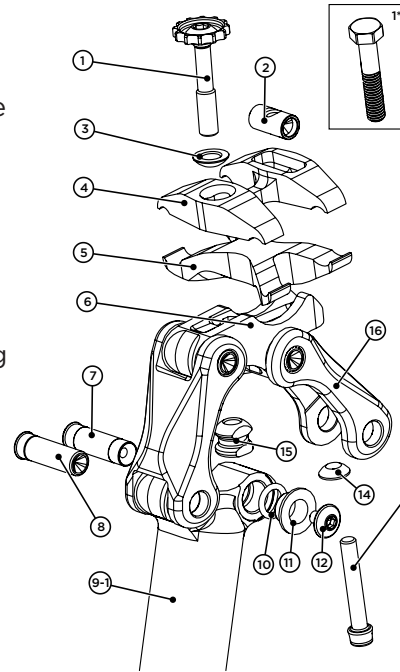
4. Install eeSilk seatpost into the bicycle frame to approximately the correct height using the height indicators on the back of the post and fasten the seatpost clamp to the frame manufacturers specifications. Confirm the seatpost is installed so that the minimum insertion line is not exposed above the seat tube of the bicycle frame.

5. Loosen the two saddle clamp bolts until the threads are barely engaging the Barrel Nut and the Spherical Nut. Be sure grease is applied to the interface between the lower clamp and cradle.

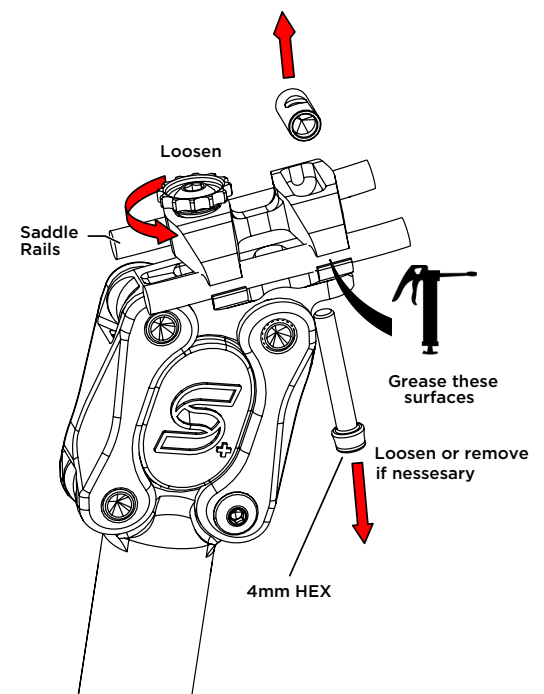
6. Place one rail of the saddle in position between the upper and lower clamps. Then rotate saddle so the other rail slips over the far edge of the upper clamp and into position in the rail grooves of the lower clamp. eeSilk seatposts are designed to accommodate 7mm diameter metal seat rails and 7mm by 9mm oval composite seal rails.

7. Begin to tighten the front and rear clamp bolts. The saddle tilt is controlled by these two bolts. Check that the saddle tilt and position of the saddle are correct before final tightening. The front bolt can be adjusted by hand, a 4mm hex, or 17mm wrench on eeSilk Carbon or a 10mm wrench on eeSilk. The rear bolt must be tightened to 44in*lb (5.0 N*m). The front bolt must receive an additional half turn of preload once the rear bolt has been properly torqued.

8. Adjust saddle height if necessary.



ID	Number	Description	Qty
1	AAE0096Ti	M6 x 1 x 33 Thumb Bolt - Ti	1
2	AAE0135	Barrel Nut 15.5mm - SS	1
3	AAE0120	Spherical Washer M6	1
4	AAE0089	Upper Clamp	1
5	AAE0088	Lower Seat Clamp	1
6	AAE0280	Clamp Cradle	1
7	AAE0282	Removable Axle	1
8	AAE0281	Press Axle	3
9-1	AAE0289	Carbon Post - 27.2 x 350	1
9-2	AAE0286	Aluminum Post - 27.2 x 375	1
9-3	AAE0291	Carbon Post - 31.6 x 350	1
9-4	AAE0290	Aluminum Post - 31.6 x 375	1
10	AAE0285	O-ring 7.8x1.9 - NBR	4
11	AAE0300	Arm Bushing	8
12	AAE0283SS	Axle Bolt	1
13	AAE0097Ti	M5 x 0.8 x 33 Bolt - Ti	1
14	AAE0090	Spherical Washer M5	1
15	AAE0115	Spherical Nut	1
16	AAE0313	Arm	2
17	AAE0323	Elastomer - Medium	1
1*	AAE0302	M6 x 1 x 32 - 10mm Hex	1



Selecting -

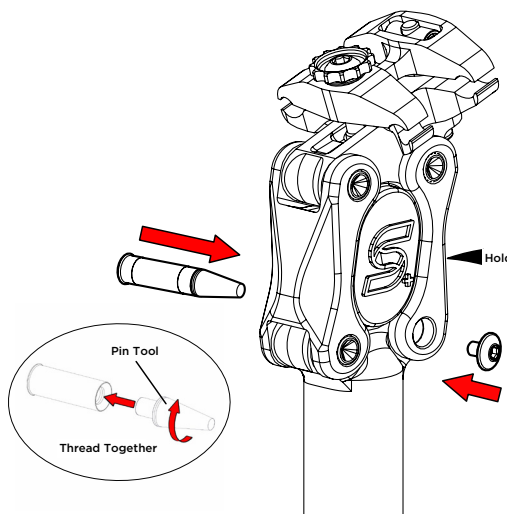
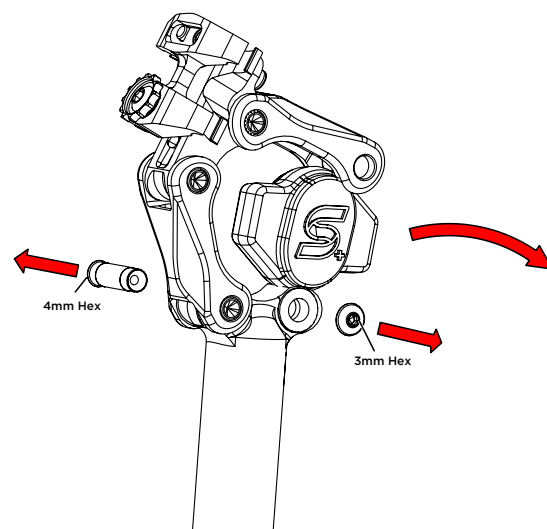
NOTICE - The eeSilk seatpost must be set-up with the appropriate elastomer before riding. See below for elastomer instructions. Maximum allowable rider weight is 250lb (113kg)

Rider Weight	Elastomer Rating
≤110lb (≤50kg)	1 (Sold Separately Part# BAE0321)
100-160lb (45-73g)	3 (Sold Separately Part# BAE0322)
150-210lb (68-95kg)	5 (Installed on Post)
200-250lb (90-113kg)	7 (Sold Separately Part# BAE0324)
200-250lb (90-113kg)*Extra Firm	9 (Sold Separately Part# BAE0325)

The eeSilk seatpost can be tuned for different rider weights and riding styles by selecting the elastomer that best fits rider needs and performance preferences. The eeSilk seatpost is shipped with a #5 elastomer installed. #1, #3, #7, and #9 elastomers are sold separately.

Changing Elastomers -

1. Using a 4mm hex wrench and a 3mm hex wrench, loosen the axle on the bottom of the rear parallelogram arm and remove the 3mm bolt.
2. Install the pin tool provided in the packaging onto the axle and push the axle out of the axle bore.
3. Lift the arm away from the axle bore on the post and remove the current elastomer.
4. Insert the new elastomer in the opened arms, orienting the elastomer into the arm profile.
5. With the new elastomer placed between the two arms, push the arm down to line up the axle hole on the post and the axle holes on the arm.
6. Using the pin tool as a guide for the axle to enter the axle bore, push the axle into the axle bore pin side first. Remove the pin from the axle once the axle is fully inserted into the axle bore.
7. Fasten the 3mm hex bolt back into the axle. Holding the 4mm axle bolt, fasten the 3mm hex bolt to 2.0 Nm (17.7 in lb)



Maintenance -

Occasionally check the torque of the 4mm axle bolt to make sure the axle nut and axle bolt are not loose. Additionally, the pivot axles could be periodically lubricated with a light oil.

NOTICE - eeSilk seatposts are designed to absorb small bumps only. You should still stand up when encountering large obstacles on the road or trail.

Warranty Information

LIMITED ONE (1) YEAR WARRANTY ON CANE CREEK eeSilk

eeSilk seatposts are warranted against defects in materials or workmanship for one year from the date of purchase. This warranty applies to the original owner only. At their discretion, Cane Creek Cycling Components will repair or replace any defective seatpost with the same or comparable model. This warranty is void if the seatpost is damaged as a result of abuse, alterations, modifications, improper adjustment, lack of maintenance, crashes, or other conditions judged by Cane Creek Cycling Components to be abnormal, excessive, or improper. It is mandatory that a Return Authorization Number (RA#) is received (by calling or emailing Cane Creek) before any return is made. Additionally, a dated Proof of Purchase must accompany the seatpost when returned.