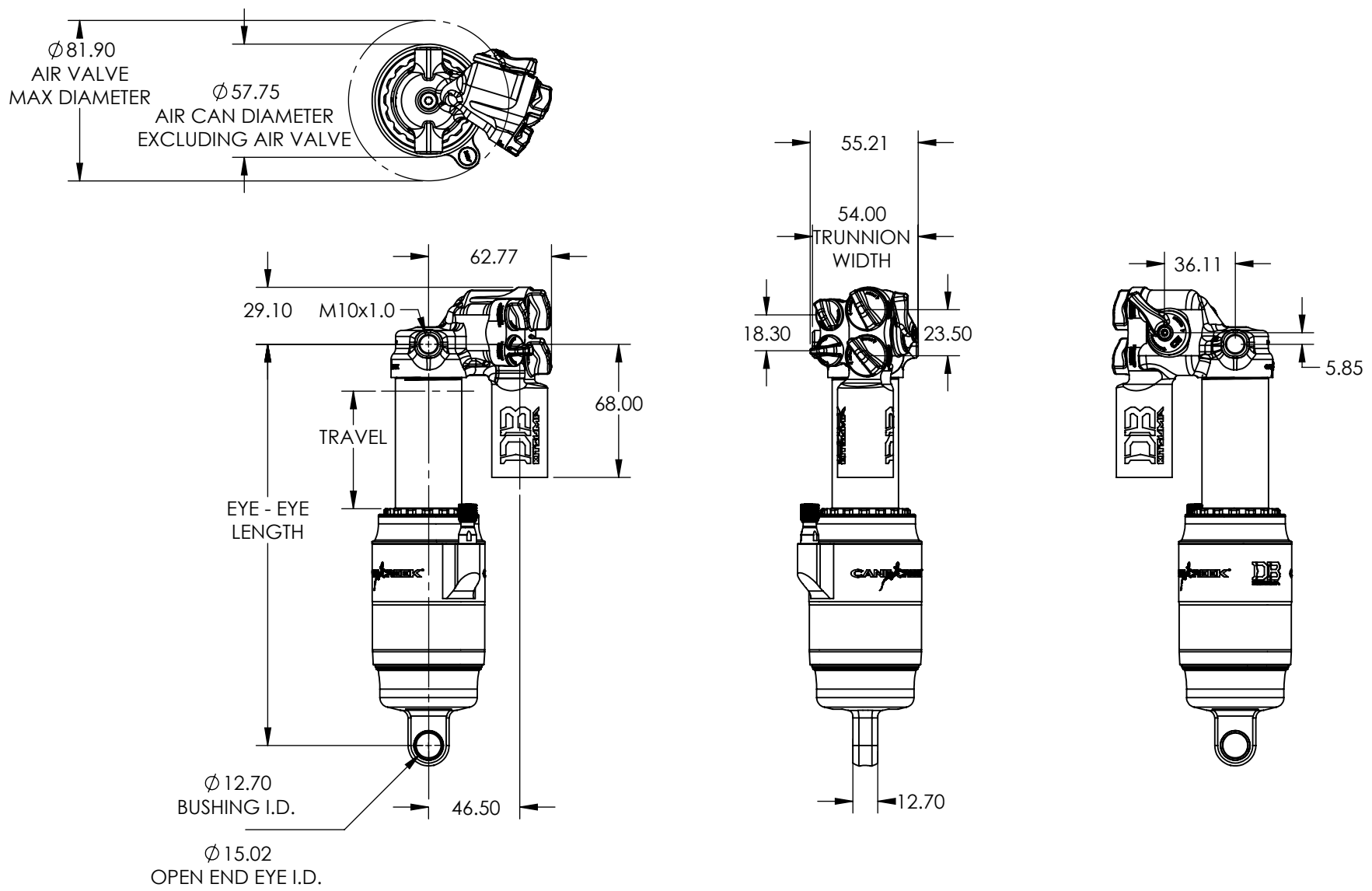
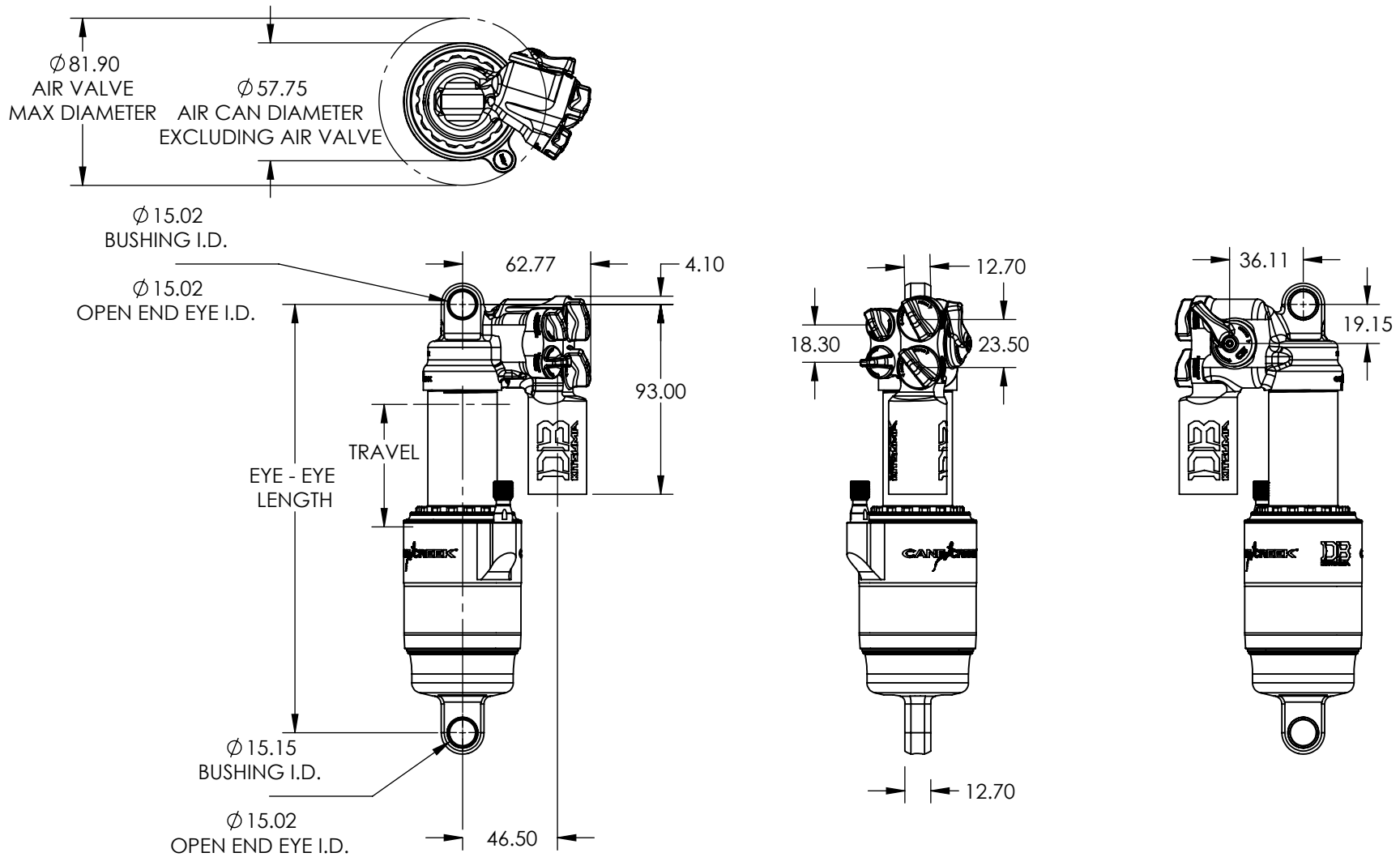


REV.	DESCRIPTION	ENGR	DATE
1	First Release	JAH	9/16/2020

# KITSUMA - AIR - TRUNNION



# KITSUMA - AIR - STANDARD



mm Dimensions Tolerances: .X $\pm 0.3$ .XX $\pm 0.10$ .XXX $\pm 0.05$ Angular: $\pm 0.50$ Concentricity: 0.10 Third Angle Projection 	This drawing and all information therein is the property of Cane Creek Cycling Components and is confidential and must not be made public or copied. It is loaned subject to return upon demand and is not to be used in any way that is detrimental to our interests.	 TITLE: <b>Kitsuma - Air Trunnion and Standard User Spec</b>
Weight: Material: Finish:	SIZE <b>B</b>	Part No. REV. <b>1</b>
SCALE: 1:3		SHEET 1 OF 1